

## Frozen Cream Dispenser, 2 bowls

ITEM # \_\_\_\_\_

MODEL # \_\_\_\_\_

NAME # \_\_\_\_\_

SIS # \_\_\_\_\_

AIA # \_\_\_\_\_


**560022 (NINA2)**

 Frozen Cream Dispenser  
 with 2x2 l bowls

**560023 (NINA2ITNK)**

 Frozen Cream Dispenser  
 with 2x2 l insulated bowls

### Short Form Specification

**Item No.** \_\_\_\_\_

Mini dispenser for cold creams and sherbets with 2 tank of 2lt of finished product each. Small dimension of the tank grants a more frequent renewal of the product inside of it for a higher freshness. Special fire-resistant plastic frame composed of ABS & Polycarbonate, steel side panels. Works with air cooling system.

### Main Features

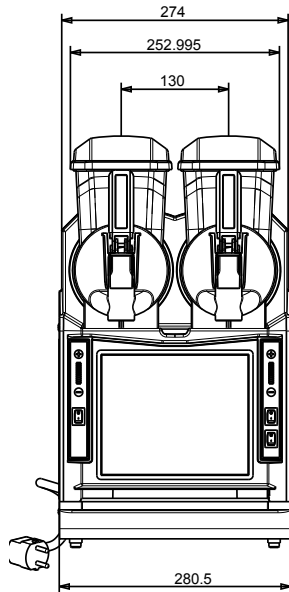
- Mini dispenser for cold creams and sorbet.
- Ideal for the operators who have little space available and small sales volumes, it is also perfect for off-season use, when frozen product demand is low.
- Small dimension of the tank grants a more frequent renewal of the product inside of it for a higher freshness.
- 2 tank of 2lt of finished product.
- Adjustable temperature from - 3°C up to -6°C.

### Construction

- Special fire-resistant plastic frame composed of ABS & Polycarbonate, steel side panels.
- Works with air cooling system.

**APPROVAL:** \_\_\_\_\_

Front



### Electric

#### Supply voltage:

560022 (NINA2) 220-240 V/1 ph/50 Hz

560023 (NINA2ITNK) 220-240 V/1 ph/50 Hz

Electrical power max.: 0.5 kW

### Key Information:

External dimensions, Width: 281 mm

External dimensions, Depth: 391 mm

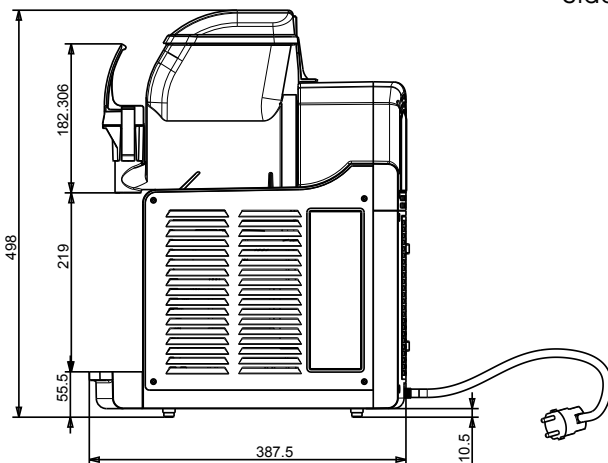
External dimensions, Height: 498 mm

Net weight: 26 kg

### Refrigeration Data

Refrigerant type: R452A

Side



Top

